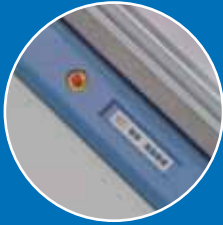


BLADE

TILTING R/F TABLE



Microprocessor controlled

Can Bus driven

Double display



S.F.D. cassette size detection

Cross divisions up to 8x



ARCOM
IMAGING THROUGH METAL

A traditional diagnostic device redesigned to match user needs and to grant extreme patient safety. Blade system is easy to use, reliable and allows all examination with smooth and silent movements. This heart of technology is protected by an eye-catching strong metal skin: a modern design that lasts undamaged for years! Just check the datasheet to discover how Blade gets over your expectations.

Performance and Safety Features

Fast Bolus Chasing

Single Rupture and Anti-collision Safety Feature

Ergonomic Main Control Panel, both right handed and left handed

All surfaces (non allergic) allow easy cleaning and disinfection

Structural Strength

Blade, built on a stable and strong mechanical structure, is covered by massive metal sheets where usually plastic moulds are applied. This Arcom trademark is not affecting the overall weight.

Wider Examination Area

The wide movements allow to perform all examinations without moving the patient. The user can move the spot film device following the contrast mean through its irregular path and taking into account different directions and speed of deglutition.

SFD Console Commands

- » Preset division
- » Rapid Sequence
- » Cassette Load/Unload
- » Room Light
- » Compressor In/Out
- » Hold Function
- » Commands for I.I.
- » TV Chain Kv Selection (Auto/Manual)
- » TV Image Inversion
- » X-Ray command and fluoro command available on SFD command display and separate footswitch or hand-switch
- » I.I. zoom
- » 4 ways tabletop movement
- » Tilting (+90°/-15° adjustable speed)
- » SFD longitudinal movements
- » SFD compression movement 3 speed selectable

SFD Display

- » Information displayed:
- » Cassette size
- » Selected division
- » Number of available exposition
- » Progressive number of division
- » Errors/messages etc.

Table Console

- » Tilting commands
- » Longitudinal tabletop commands
- » Transversal commands

Table Display

- » Shows tilting angle

Accessories

- » Footrest
- » Handgrips
- » Shoulder rest
- » Lateral cassette support
- » Pressing band
- » Leg supports for gynaecologic exams
- » SFD liquid protection
- » Fluoroscopy footswitch
- » Protective leaded curtains

System Components*

Image Intensifier

Size	9"	12"
Field	Three: 9"/6"/4"	Three: 12"/9"/6"
Diameter of image output	20 mm	25 mm
Conversion factor	240 Cd/m ² /mR/s	240 Cd/m ² /mR/s
Limit resolution	48/56/64 lp/cm	44/50/56 lp/cm
Contrast ratio on large area	23:1	22:1

All movements are smooth and silent, all commands are easily reachable in the main console for a quick adjustment before rad exposure and during fluoroscopic investigations.

Blade is a multipurpose, hi tech diagnostic device with high-end standards for quality and safety.

Just check available options, accessories and configurations to find the right specs and budget for every market!!

TV Camera

Compact digital CCD 1kx1k progressive TV camera
 25 images/sec. acquisition rate at 1024x1024 pixel resolution
 Built in Noise Reduction Digital Filter (CPLD)
 TV camera adjustment via RS232 communication
 100 steps gain control
 100 steps offset control (black level)

X-Ray Generator

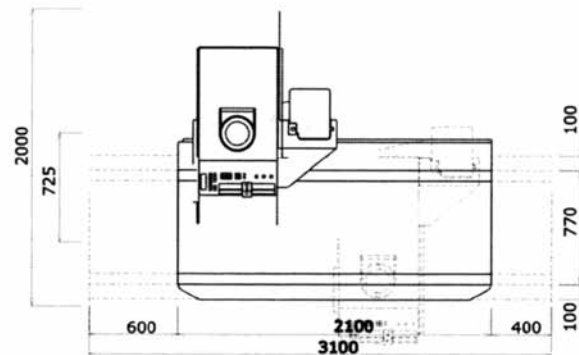
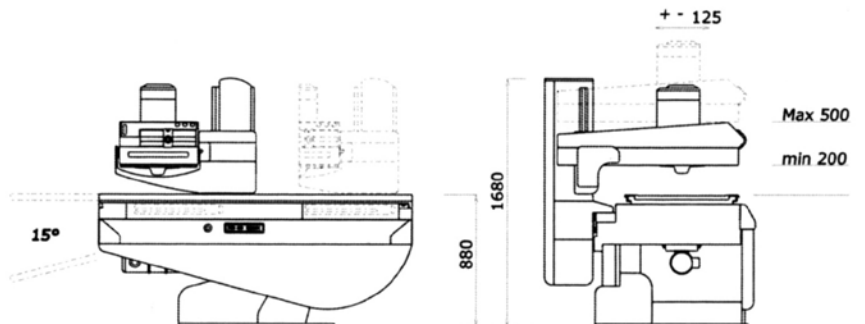
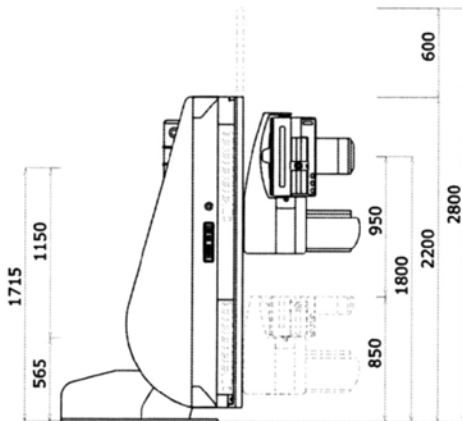
MODEL	GENESIS 65 DT
Power	65 kW
RADIOGRAPHY MODE	
Nominal High Voltage	150 kV
RX Tube Highest Current	800 mA
max mA @ max kV	800mA @ 75kV 650mA @ 100kV 500mA @ 125kV 400mA @ 150kV
Inverter frequency	120 kHz
mAs Range	0,4....600mAs
Automatic Exposure Control	2 chambers
Number of Working Stations	max. 4 (3+1 free)

X-Ray Tubes

Model	Target	□ / ■	Kw 50 Hz	Kw 150 Hz	Anode kUH	kV
RTM 92 HS	15°	0.6/1.2	12/34	22/65	300	150
RTM 92 HS	15°	0.6/1.5	12/50	22/90	300	150



* Different devices are available under ARCOM approval



Technical Features

Weight	1100 Kg
Max Height encumbrance	2800 mm
Max horizontal encumbrance	3100 mm (tabletop centred)
Max width	2000 mm
Tabletop Height	880 mm
Max patient Weight	200 kg
Power supply	230 Vac +/- 10%
Frequency	50/60 Hz
Power absorption	3,5 kVA

Table

Longitudinal Tabletop Movement (optional)	Motorized 600 mm head, 400 mm feet
Transversal Tabletop Movement (optional)	Motorized +/- 100 mm
Longitudinal SFD/Tube Movement	Motorized · excursion 900 mm
Transversal SFD/Tube Movement	Manual Movement 750 mm · Blocked with ELM Brakes
Movement X-Ray Tube	Motorized and synchronized with SFD · Blocked with ELM Brakes
Compression	Motorized with 3 selectable speeds, counterbalanced, ELM brake
Lower plane SFD - Tabletop distance	200 to 500 mm
Lower plane SFD - Film distance	56 mm
Focus - Tabletop distance	450 mm (average)
Focus - Film (inside SFD)	690 - 990 mm
Table Tilting	Motorized, vertical 90° Trendelemburg -15° (speed 4°/sec, Adjustable)
Tabletop Size	2100 mm x 770 mm (flat)

Spot Film Device

Available Cassette Sizes	From 18 x 24 to 35 x 35 cm (8x10" a 14x14")
Divisions	Direct: 1, 2, 3, 4; Cross: 4 e :6 :8
Rapid Sequence	For divisions 2,3,4 for cross divisions, by couples 2 divisions, the system draws back to parking position and then other 2 divisions are performed. For divisions by 6, 3 sequences of 2 divisions
Scopy / Static Imaging Shifting Time	Depending on Cassette Size: Max 1,2 sec.
Cassette Load	From front side SFD, self centering and Easy Load
Collimation	Automatic (shutters in the SFD and Collimator)
AEC (optional)	Set for 6 mm AEC
Grid	Size 15" x 15", FD 90 cm, 90 L"
Grid Movement	Vibrating and Synchronized with X-Ray emission
Hold function	Allows manual movement of collimator shutters
Classification	Active Class IIb Medical Device

Features could change with no advice